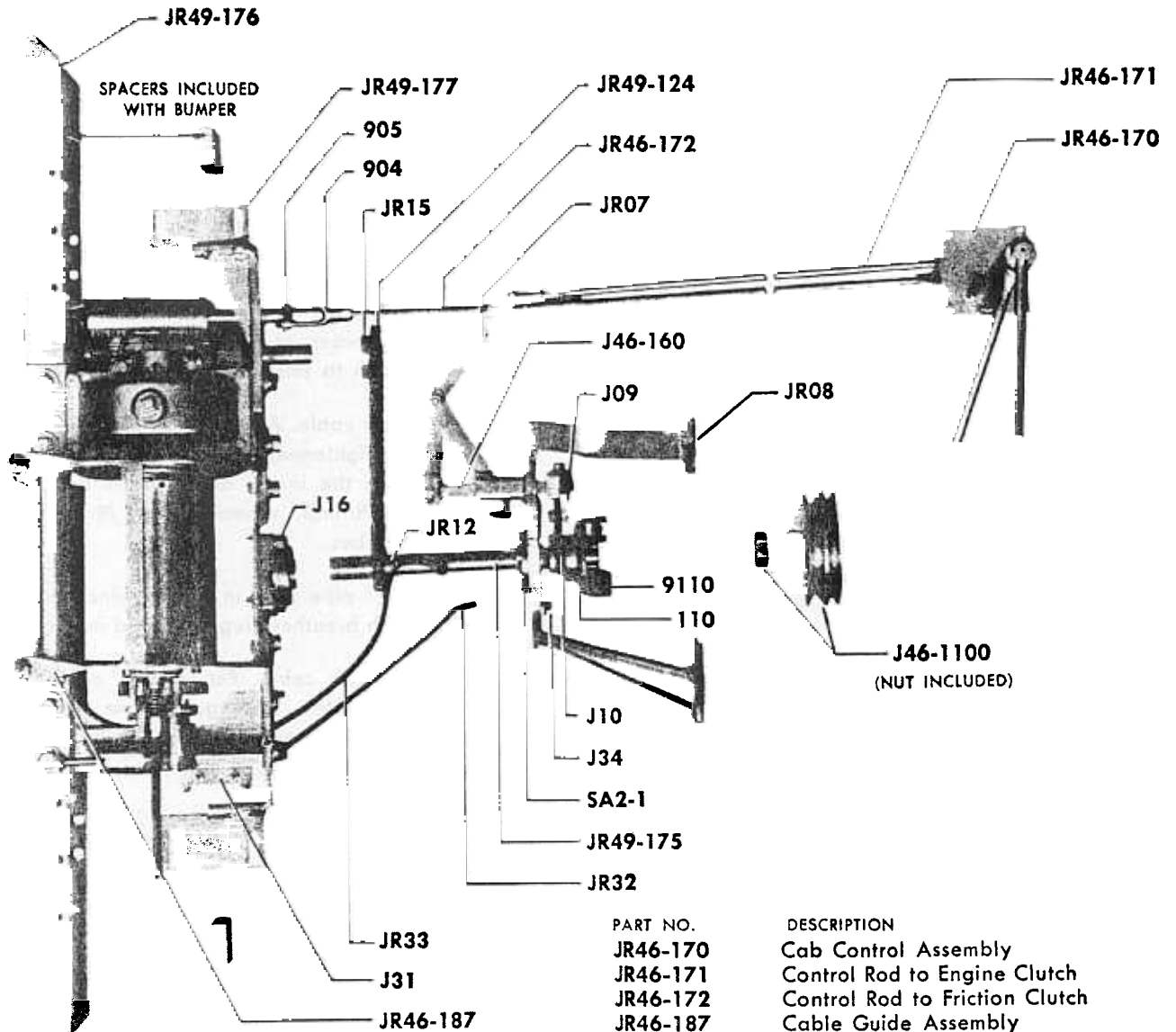


# MODEL R-100

# MODEL R100J

# King Winch

## INSTALLATION PARTS ON WILLYS CJ-2A, CJ-3A AND CJ-3B JEEPS



PART NO.	DESCRIPTION
110*	Sliding Clutch Member
904*	Clevis (4 Required)
905*	Clevis Pin (4 Required)
9110*	Rubber Contact Blocks (2 Required)
J09*	Shifter Casting
J10*	Shifter Yoke
J16*	Pillow Block Bearing
J31*	Lubricator Block
J34*	Lubricator Tube Clamp
J46-160*	Shifter Shaft
J46-1100*	Motor Connection
SA2-1*	Ball Bearing (Incl. with JR-08)
JR-07	Shifter Arm
JR-08	Bearing Bracket
JR-12	Sprocket (Incl. with JR49-175)
JR-15	Sprocket
JR-16	Clutch Shaft Key
JR-32	Lubricator Tube for 110
JR-33	Lubricator Tube for J46-160

PART NO.	DESCRIPTION
JR46-170	Cab Control Assembly
JR46-171	Control Rod to Engine Clutch
JR46-172	Control Rod to Friction Clutch
JR46-187	Cable Guide Assembly
JR49-124	Roller Chain
JR49-175	Spline Shaft (Incl. JR12)
JR49-176	Front Bumper
JR49-177	Winch Support

- Shipping Weight, boxed.....218 lbs.
- Weight Complete Installation, including cable, 178 lbs.
- Weight of Winch Only..... 70 lbs.
- Recommended Cable: 150' of 5/16th 6x19 Plow Steel—Capacity..... 8,000 lbs.
- Recommended Maximum Hoisting Capacity with Single Line.....1,500 lbs.
- Gear Ratio in Winch, Both Forward and Reverse ..... 36 to 1
- Use CW90 Gear Oil in Gear Housing
- Use Chassis Lubricant in Zert Fittings

\*These parts interchangeable with all Model 100 and R-100 Jeep installation parts.