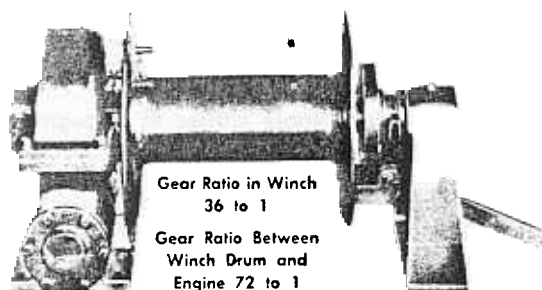
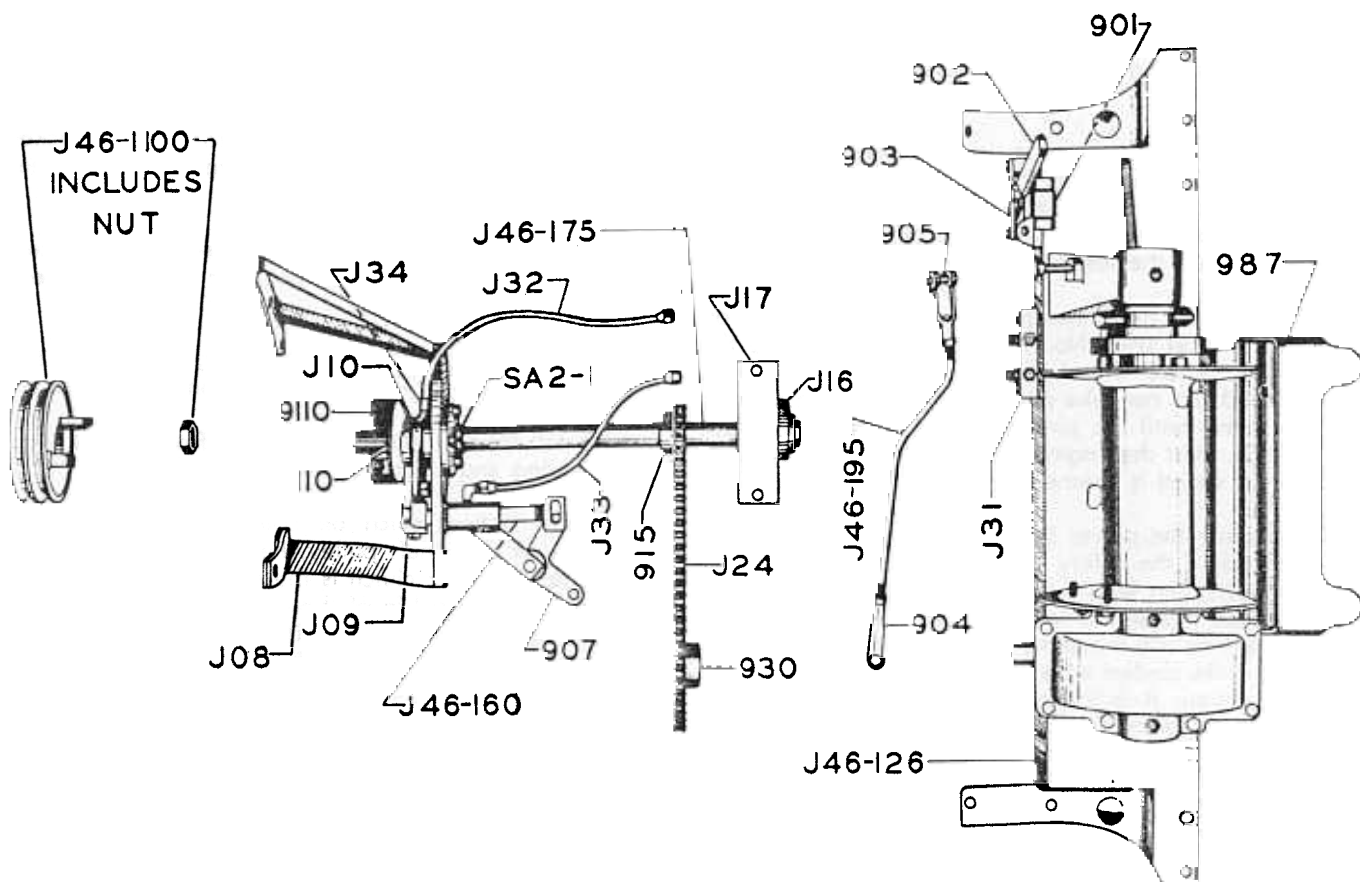


King Winch Assembly Model 100J

INSTALLATION PARTS ON WILLYS JEEP CJ-2A, CJ-3A AND CJ-3B



Weight—Winch only	49 lbs.
Complete installation including winch	126 lbs.
Boxed for shipment	154 lbs.
150' 5/16" cable w/Hook	26 lbs.

Pulling Capacity—8000 lbs.
Hoisting Capacity—1500 lbs. on single line; 3000 lbs. on double line

Use —EP 140 Transmission oil in winch housing.
—Chassis lubricant on all grease fittings.

When ordering parts refer to Serial Number of winch which is stamped on winch housing underneath cover flange.

Part No.	DESCRIPTION
901	Shifter Bracket
902	Shifter Handle
903	Drag Bar
904	Clevis (2 required) @
905	Clevis Pin (2 required) @

Part No.	DESCRIPTION
907	Right Angle Shifter Arm
913	Woodruff Key
J08	Bearing Bracket
J09	Shifter Casting
J10	Shifter Yoke
915	15-tooth Chain Sprocket
J16	Pillow Block Bearing
J17	Bracket for J16
J24	Roller Chain
925	Connecting Link (not shown)
930	30-tooth Chain Sprocket
J31	Lubricator Block
J32	Lubricator Tube for 110
J33	Lubricator Tube for J46-160
J34	Lubricator Tube Clamp
110	Sliding Clutch Member
9110	Rubber Contact Blocks (2 req'd) @
987	Cable Guide Roller Assembly
SA2-1	Ball Bearing included with J08
SA2-2	Ring
SA2-3	Gasket
J46-1100	Motor Connection
J46-126	Winch Platform
J46-160	Shifter Shaft
J46-175	Spline Shaft
J46-195	Shifter Rod
J46-199	Bag of Bolts

Contact your Willys Dealer or District Sales Office for more information.