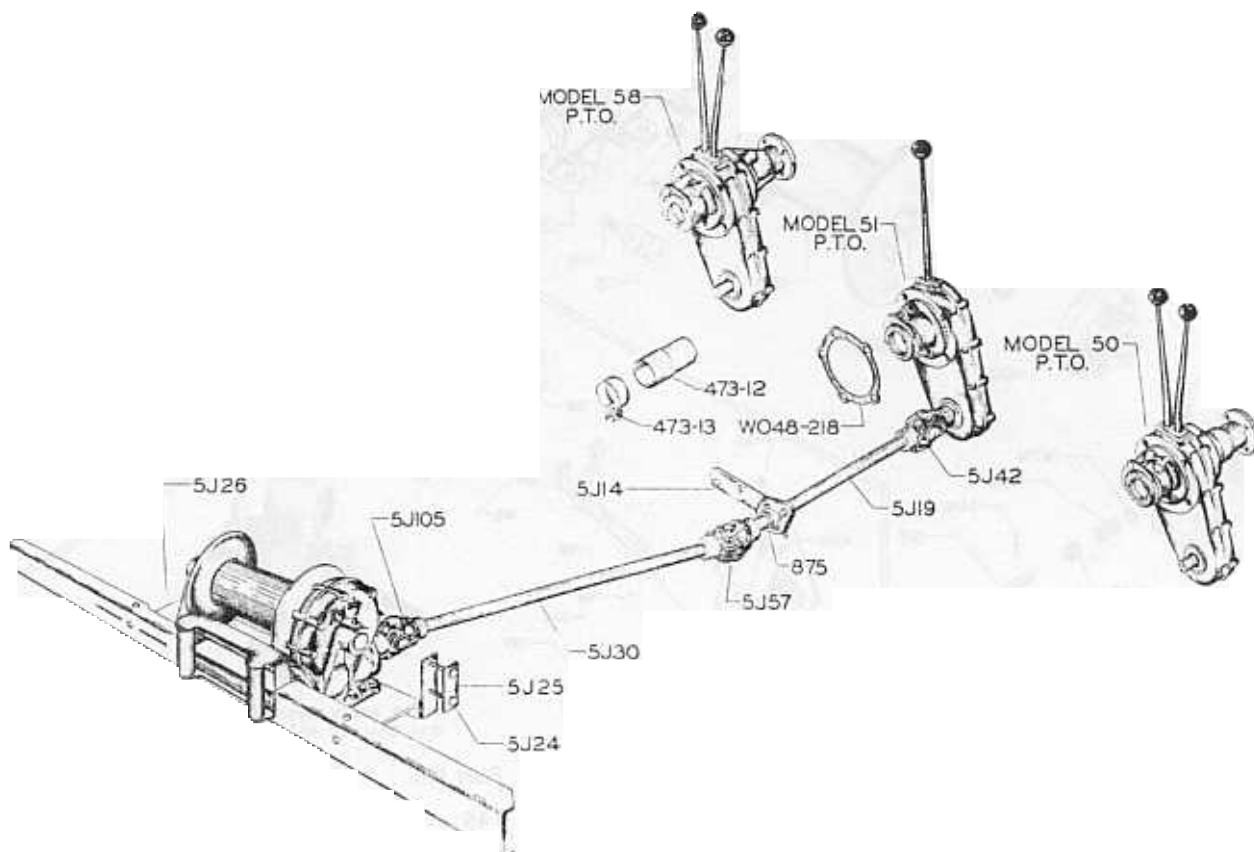


**MODELS 151J, 150J, AND 158J POWER TAKE-OFF DRIVEN
FRONT-MOUNT KING WINCHES FOR
CJ-5 AND CJ-6 'JEEP' UNIVERSAL**

**INSTALLATION PARTS
FOR MODELS 151J, 150J, AND 158J KING WINCHES**



PART NO. DESCRIPTION

5J14	Bearing bracket
5J15	Bag of installation bolts, keys, etc.
5J19	Rear drive shaft, 19" long
5J24	Platform clamp bolt (4 required)
5J25	Platform clamp
5J26	Winch platform
5J30	Front drive shaft 30-1/2" long
5J42	Rear universal joint (7/8-1/4 x 1 - 1/4)
5J57	Center universal joint (7/8-1/4 x 7/8-1/4)

PART NO. DESCRIPTION

5J105	Front universal joint (7/8-1/4 x 7/8-3/16)
875	Spherical bearing
913	1/4 x 1 Woodruff key (4 required)
473-12	Exhaust pipe sub
473-13	Exhaust pipe clamp
WO48-218	PTO gasket
15312	Cable 150' 5/16" 6 x 19 with hook and clamps
Model 50	Power Take-Off
Model 51	Power Take-Off
Model 58	Power Take-Off

Koenig IRON WORKS, inc.